



MAGELLAN[®]
A FOREST RIVER BRAND

SAFETY FIRST | CONSISTENT INNOVATION | PROVEN LEGACY
CUSTOMER CENTRIC | WWW.COLLINSBUS.COM



SCHOOL/SCHOOL ACTIVITY



Type A

TOP OF THE CLASS FOR
OVER 50 YEARS

Collins Bus has been an industry leader for over 55 years, developing the first Type A school bus in 1967. Since that time, Collins has maintained a steadfast commitment to engineering the safest buses that serve customers and protect the precious lives they transport. Flexible floor plan options mean you can customize the Type A bus to your specific needs, all while enjoying the strength and unparalleled safety that are the foundation of the Collins brand.

Type A Features

- Collins' exclusive external storage compartment
- From 9- to 34-passenger capacity with up to 6 wheelchair positions
- 5-year body warranty and limited lifetime paint warranty
- Innovative electrical system offers easy-to-access service points
- Altoona-tested, simulating 7 years and 200,000 miles of wear



OUR VEHICLES CONNECT AND PROTECT
PEOPLE AROUND THE WORLD EVERY DAY.

www.collinsbus.com



MAGELLAN[®]

A FOREST RIVER BRAND

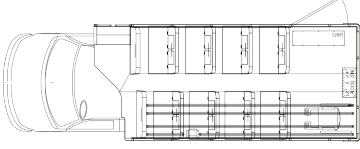
Confidence Comes Standard

Collins applies its decades of experience to manufacture Type A school buses with superior strength and safety. From the advanced materials used to build these buses to their meticulously designed structure and wide range of options, Collins brings the best in the Type A segment.

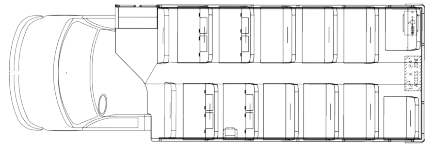
- Industry's largest view-out window reduces blind spots and enhances visibility
- One-piece tubular roof bow is 66% stronger than traditional steel
- Sturdy roll cage structure maximizes passenger protection
- G90 galvanized steel structure resists corrosion

STANDARD BODY EQUIPMENT		OPTIONAL EQUIPMENT
One-Piece 1/2" Marine Grade Plywood Flooring	1.5" Batted Insulation	Electric DOD
4 Amber, 4 Red Warning Lights	High-Density Isolation Pucks	Battery/Storage Compartment
4 Interior LED Dome Lights	Black Wraparound Bumpers	LED Lighting Packages
7" Stop/Tail/Turn Exterior Lights	Rubrails (Seat and Floor)—Optional (Window and Skirt)	3-Point Seats
4" Stop/Tail/Backup Lights		Integrated Child Restraint Seats
Rearview and Crossover Mirrors		Activity Seats
One-Piece Tubular Steel Roof Bows		AM/FM Bluetooth [®] Radio + PA
Tinted Split-Sash Windows (28" X 30" or 36" X 30" with 12" Opening)		Backup/Rear Sensor Cameras

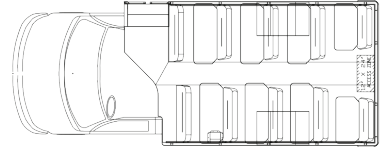
Popular Floor Plans



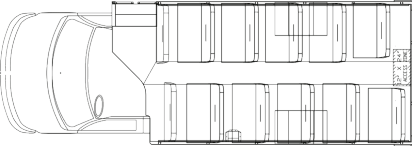
DE516WR
24 Passenger w/1 WC




DE516
34 Passenger



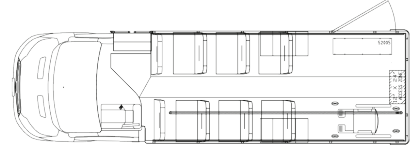
DH400
22 Passenger



DH500
28 Passenger



TH500
20 Passenger



TH516WR
12 Passenger w/1 WC